

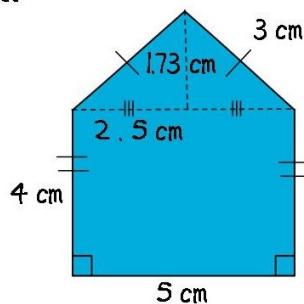


Figure that?!

Finding area of irregular figures

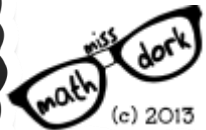
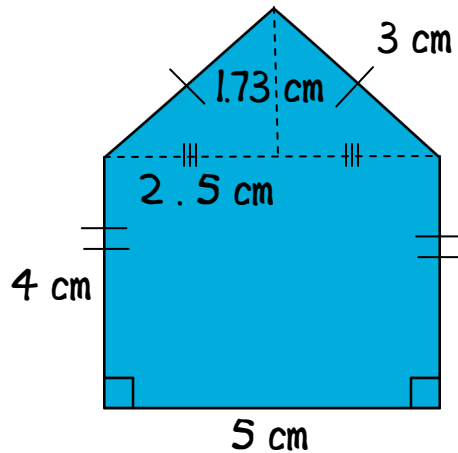


#1 Find the area of the given figure.

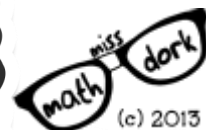
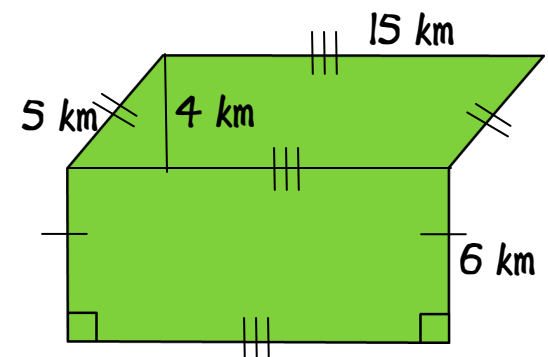


CCSS: 6.G.1, 7.G.6,
VA SOL: 8.11

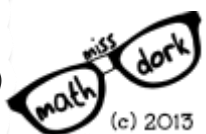
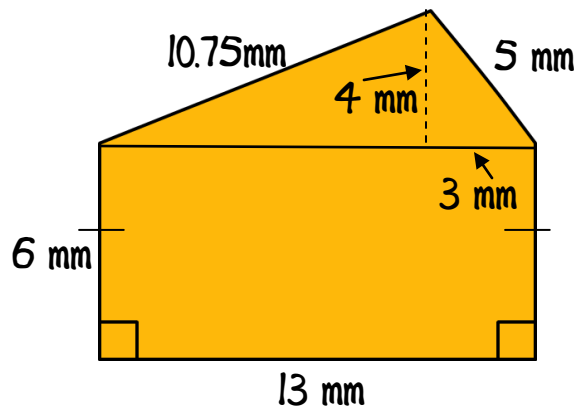
#1 Find the area of the given figure.



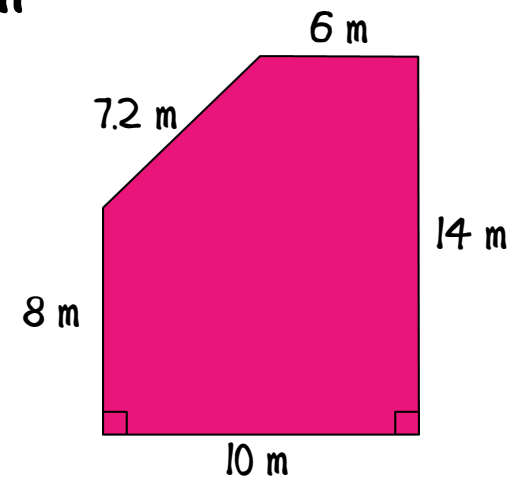
#2 Find the area of the given figure.



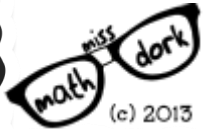
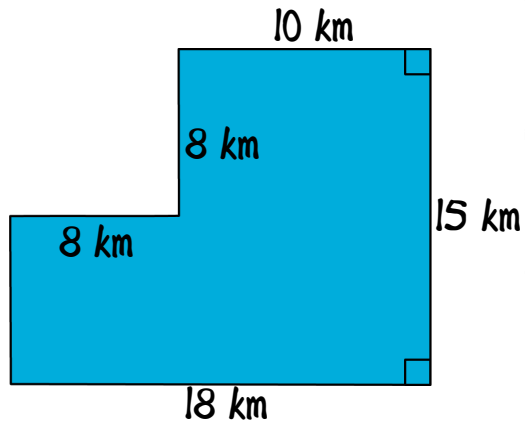
#3 Find the area of the given figure.



#4 Find the area of the given figure.

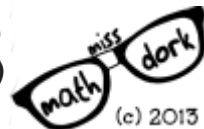
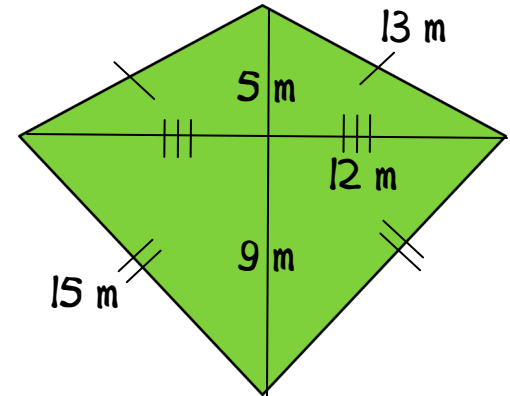


#5 Find the area of the given figure.



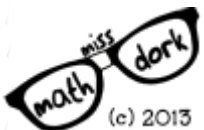
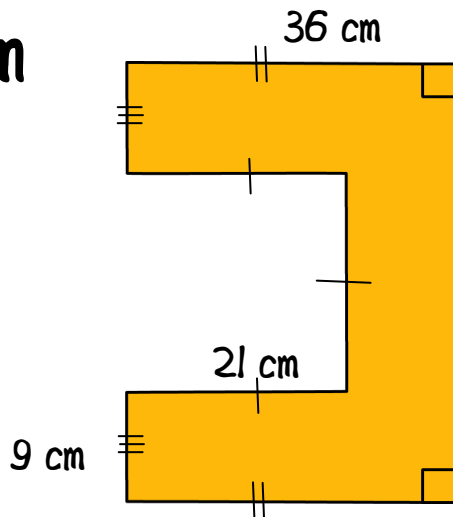
(c) 2013

#6 Find the area of the given figure.



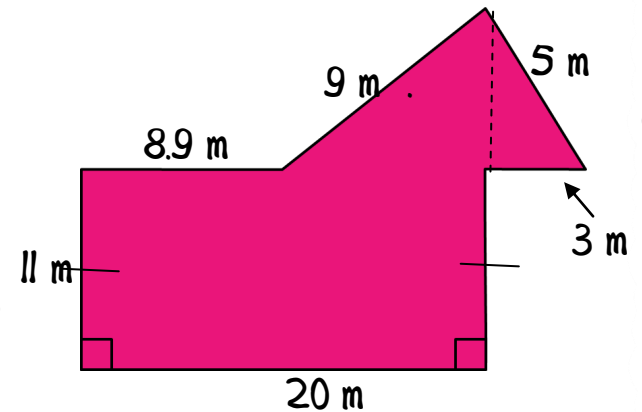
(c) 2013

#7 Find the area of the given figure.



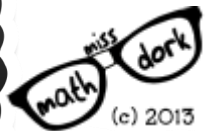
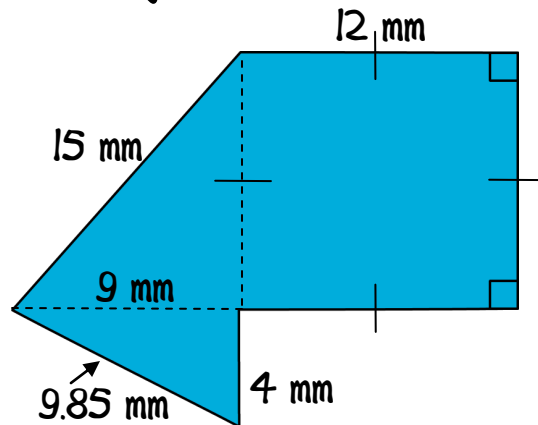
(c) 2013

#8 Find the area of the given figure.

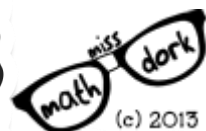
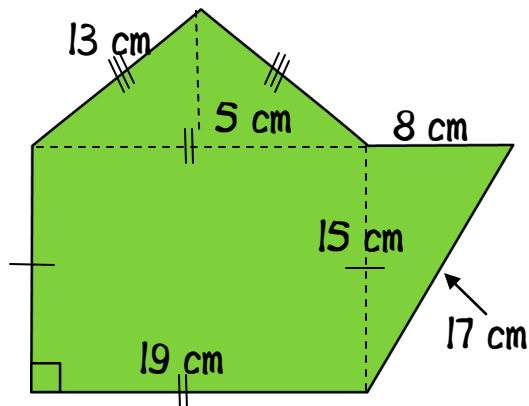


(c) 2013

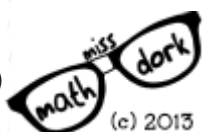
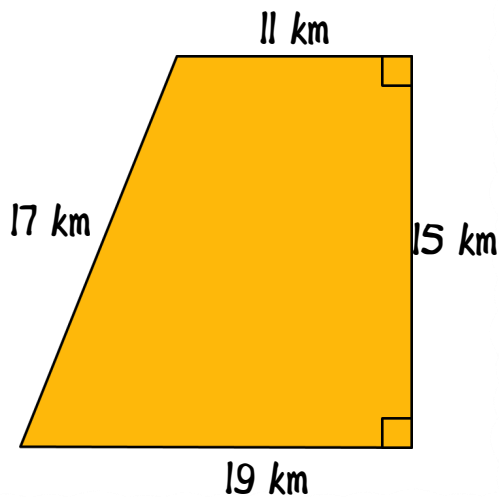
#9 Find the area of the given figure.



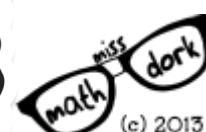
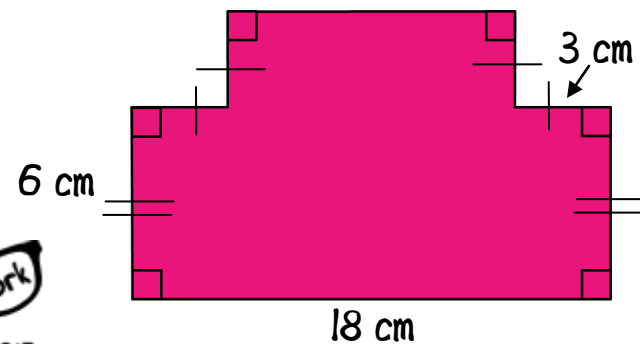
#10 Find the area of the given figure.



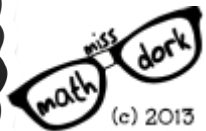
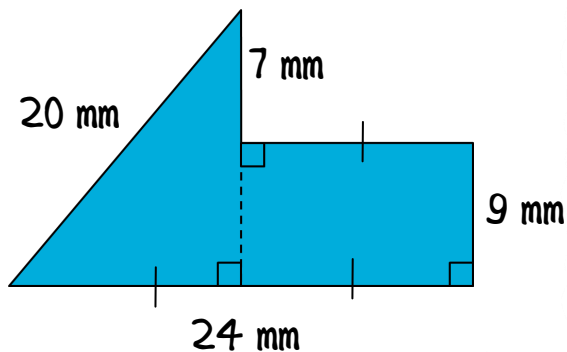
#11 Find the area of the given figure.



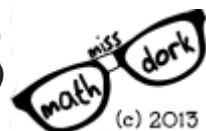
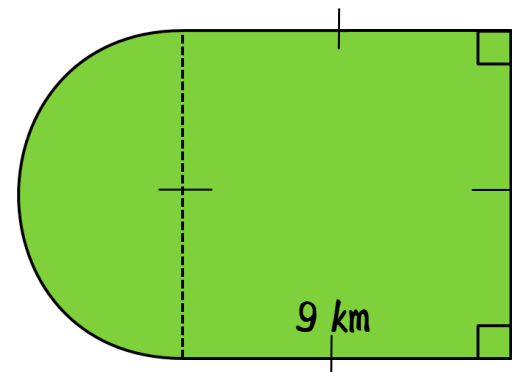
#12 Find the area of the given figure.



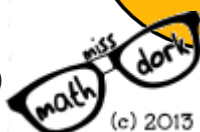
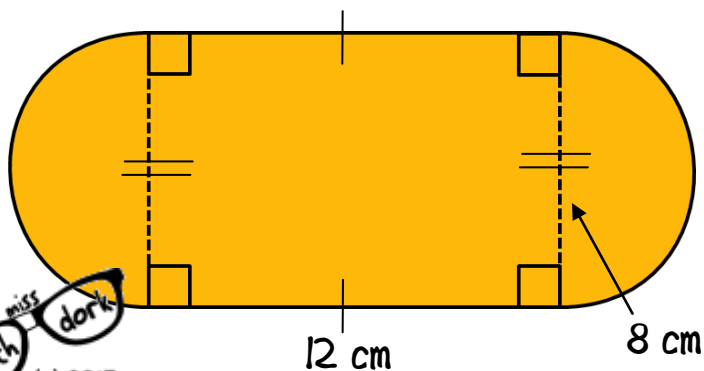
#13 Find the area of the given figure.



#14 Find the area of the given figure.



#15 Find the area of the given figure.



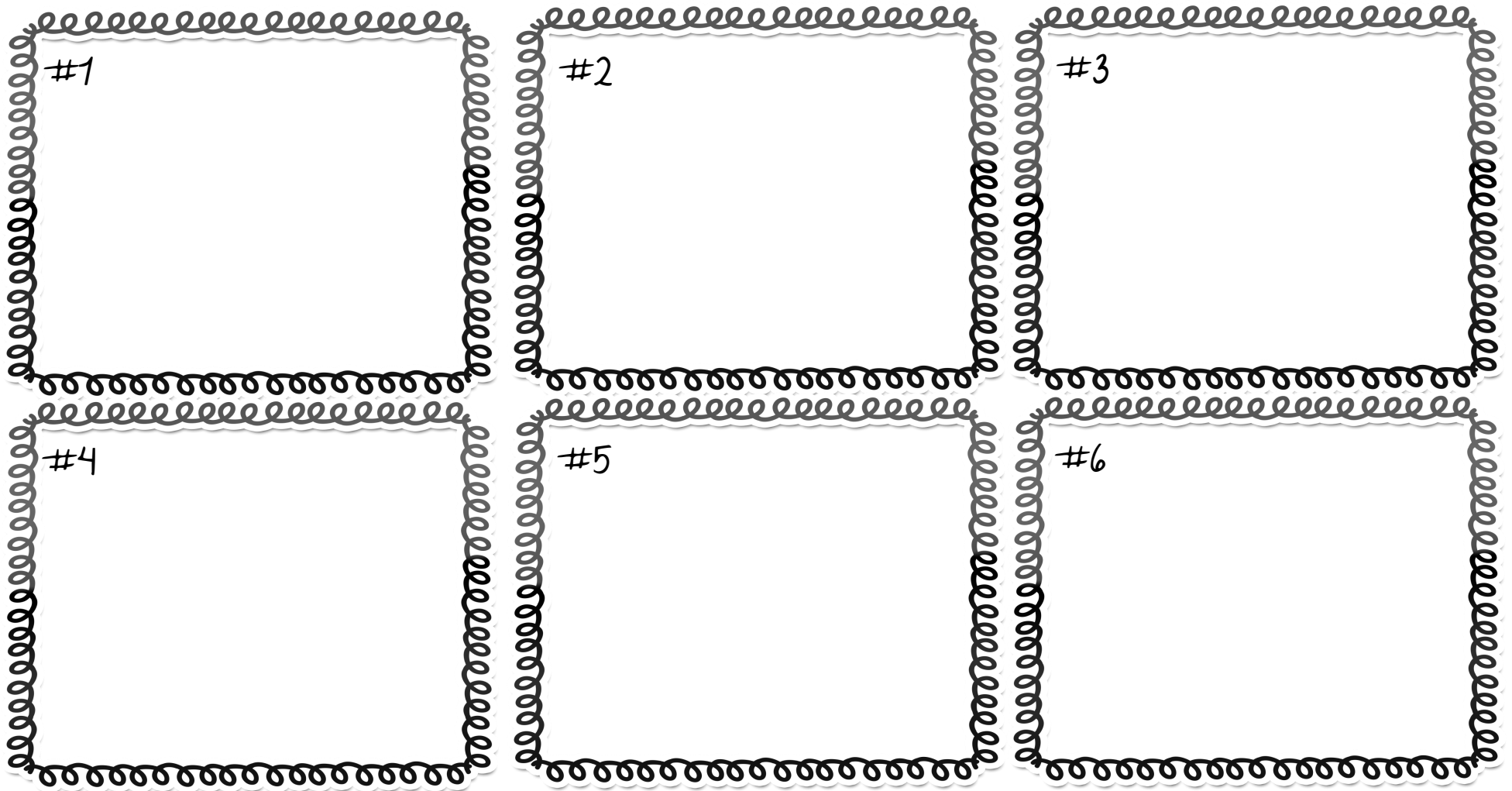
Answer Key:

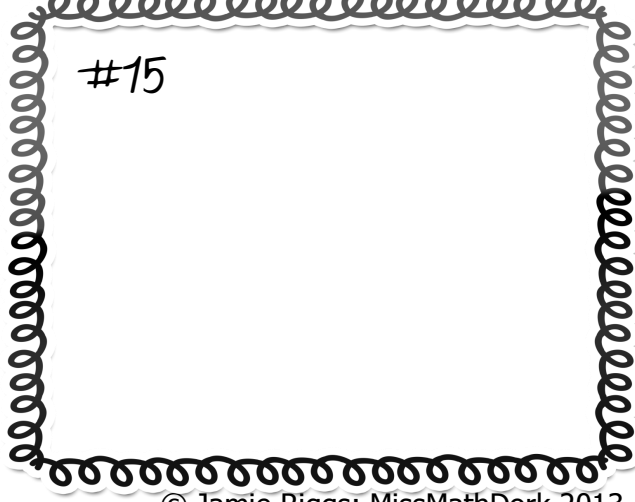
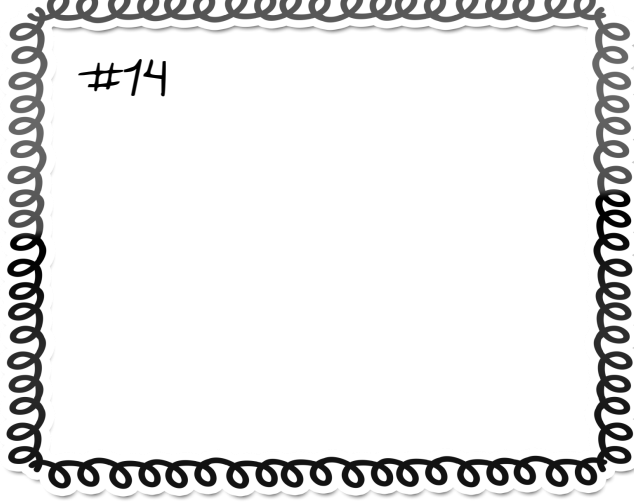
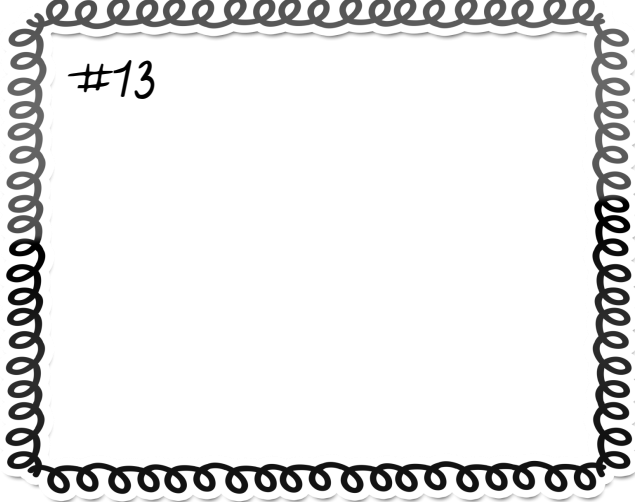
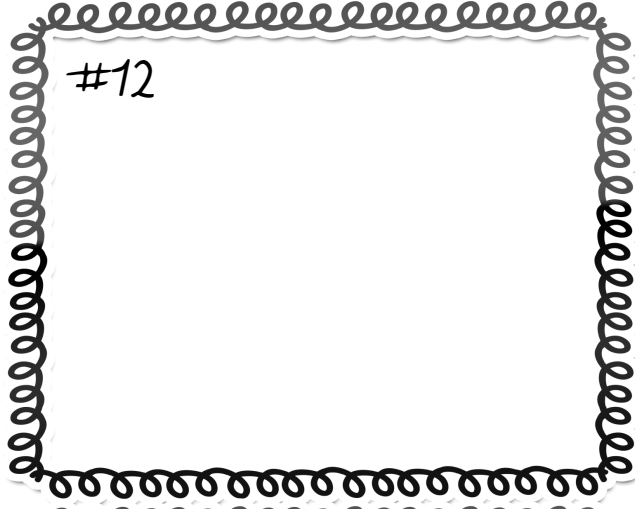
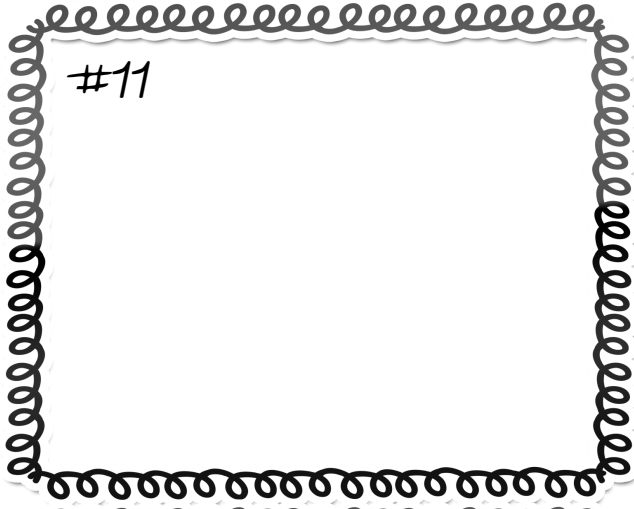
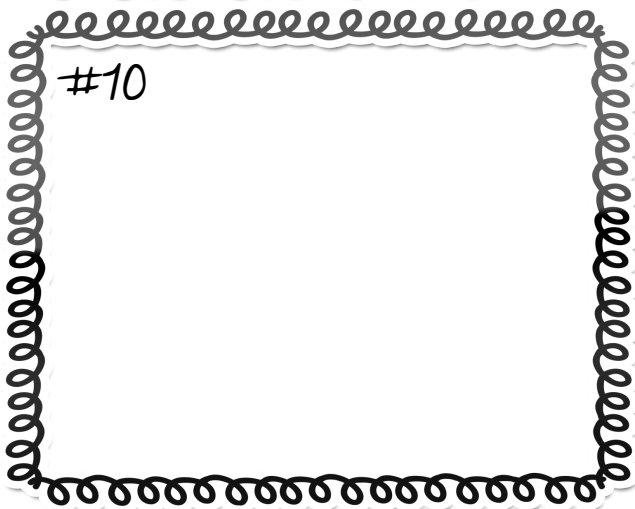
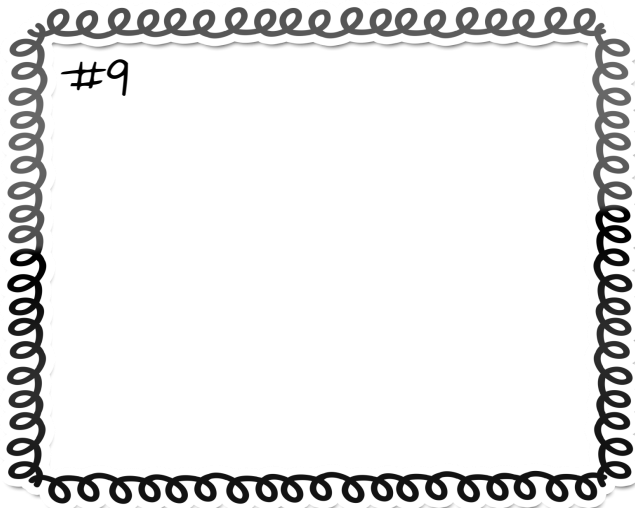
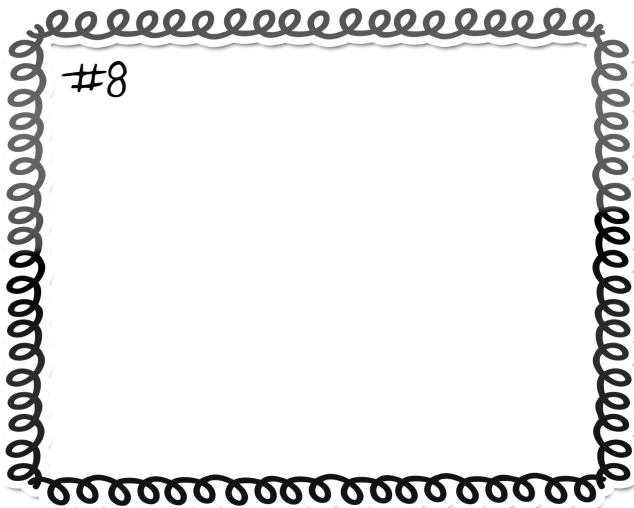
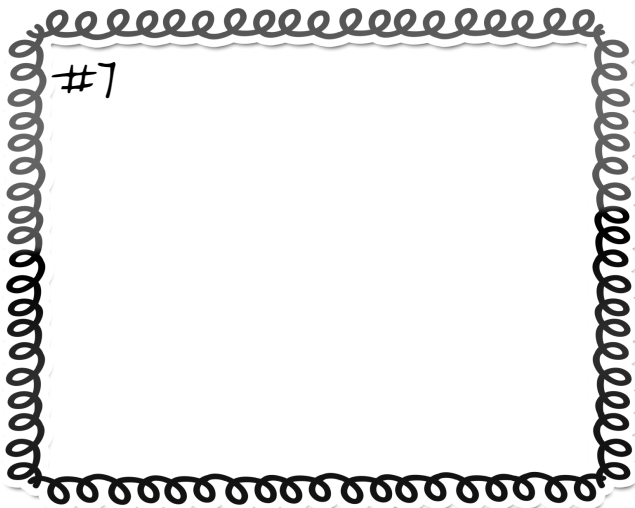
Pi was approximated as 3.14

- | | | |
|---------------------------------|-------------------------------------|-----------------------------------|
| 1. A= 24.325 cm ² | 2. A= 150 km ² | 3. A= 104 mm ² |
| 4. A= 128 m ² | 5. A= 206 km ² | 6. A= 168 m ² |
| 7. A= 963 cm ² | 8. A= 248.2m ² | 9. A= 216 mm ² |
| 10. A= 392.5 cm ² | 11. A= 225 km ² | 12. A= 144cm ² |
| 13. A= 204 mm ² | 14. A= ~112.7925 km ² | 15. A= ~146.24 cm ² |

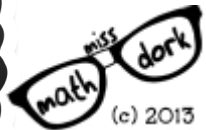
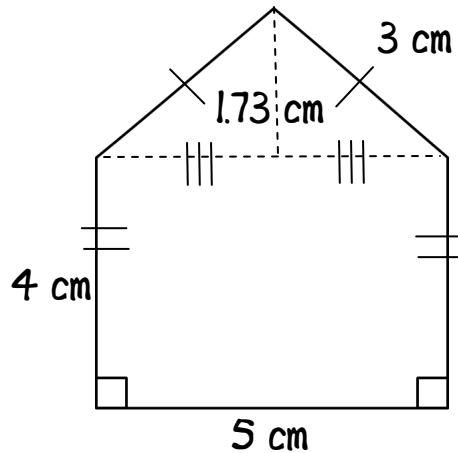
Every mathematician needs a place to work!

Remember: break the larger figure into smaller,
more manageable parts!



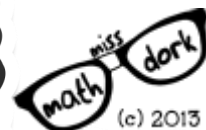
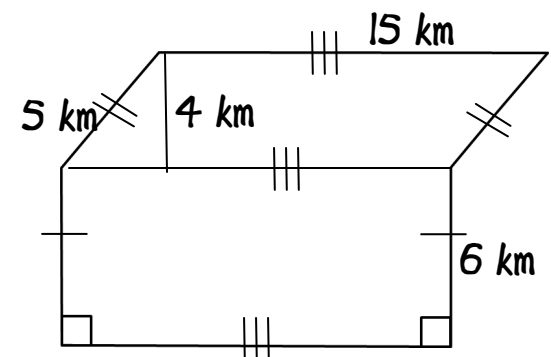


#1 Find the area of the given figure.



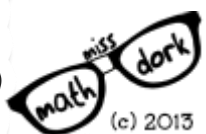
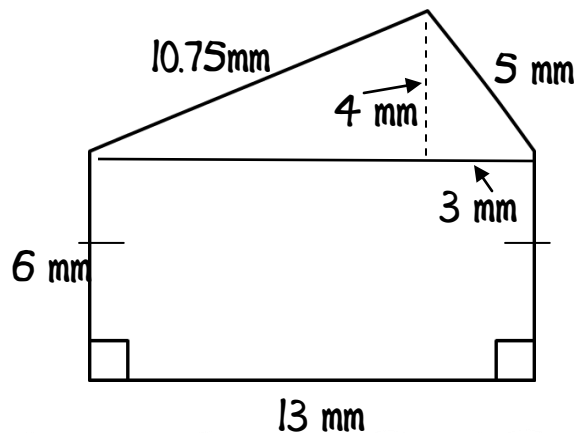
(c) 2013

#2 Find the area of the given figure.



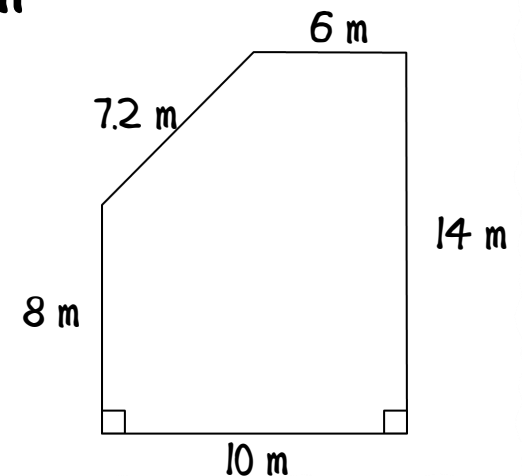
(c) 2013

#3 Find the area of the given figure.



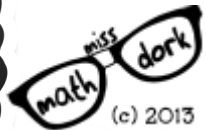
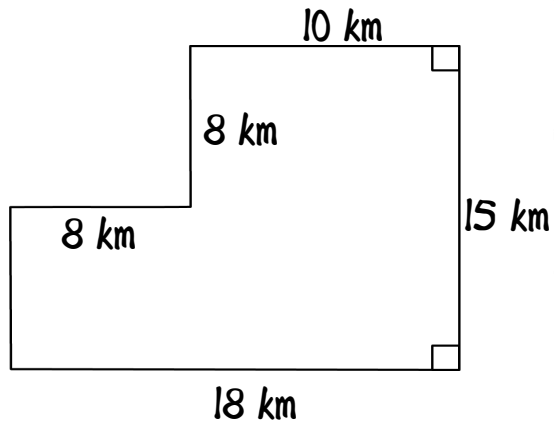
(c) 2013

#4 Find the area of the given figure.



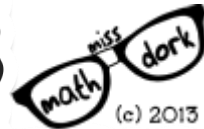
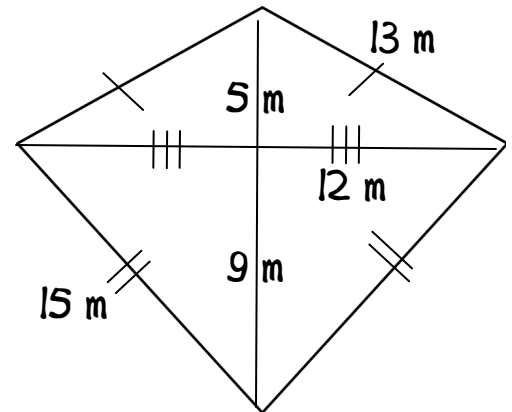
(c) 2013

#5 Find the area of the given figure.



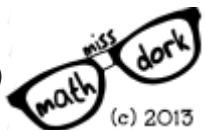
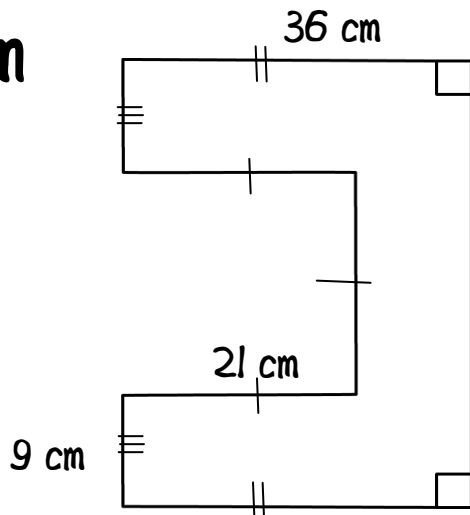
(c) 2013

#6 Find the area of the given figure.



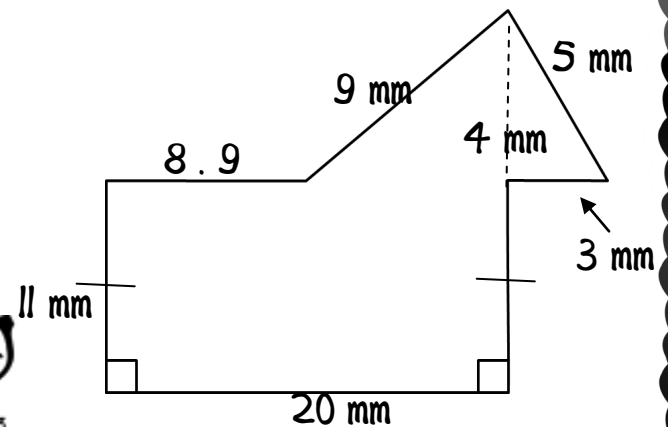
(c) 2013

#7 Find the area of the given figure.



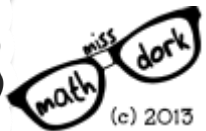
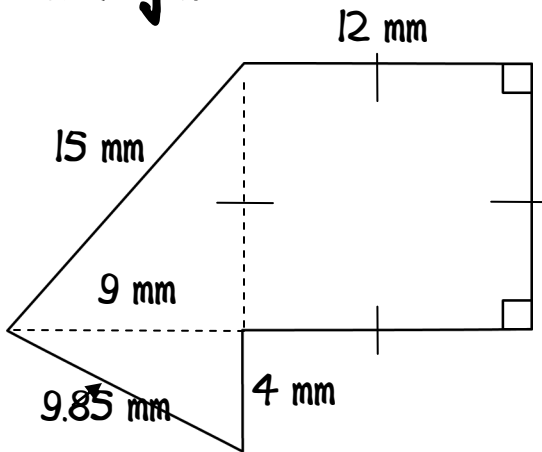
(c) 2013

#8 Find the area of the given figure.

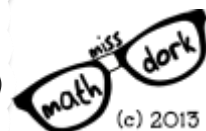
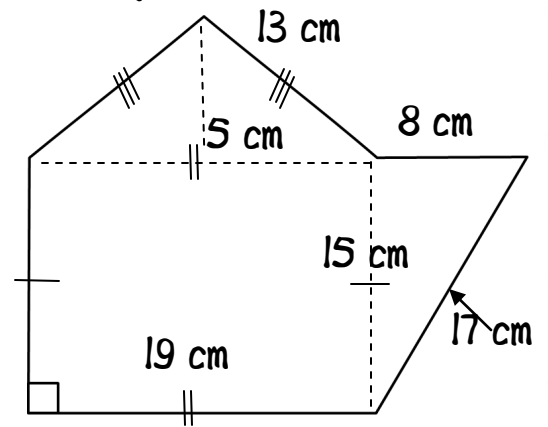


(c) 2013

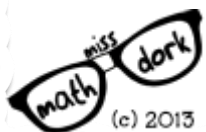
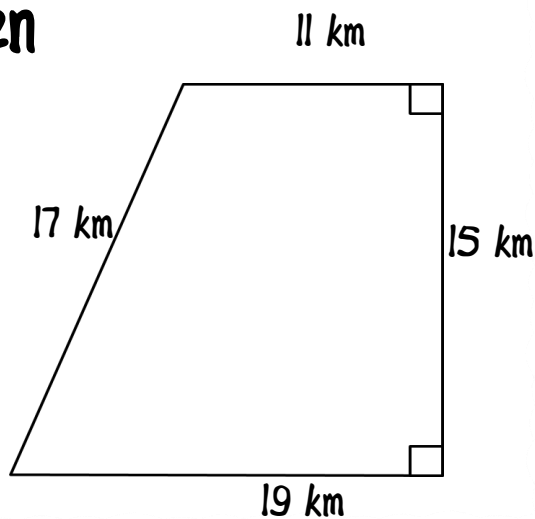
#9 Find the area of the given figure.



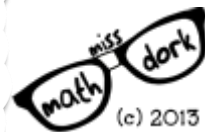
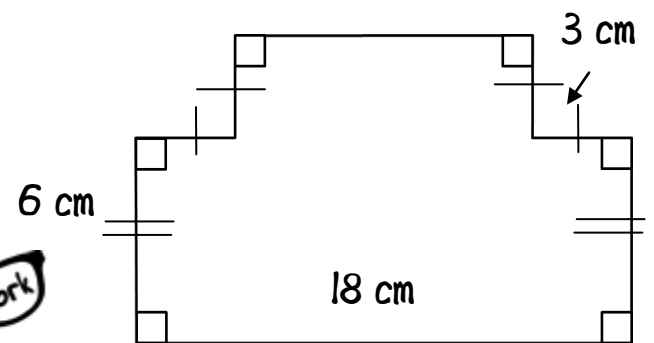
#10 Find the area of the given figure.



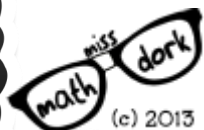
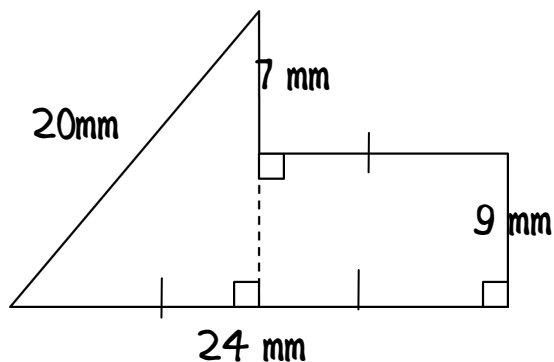
#11 Find the area of the given figure.



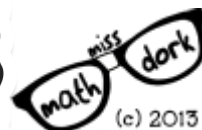
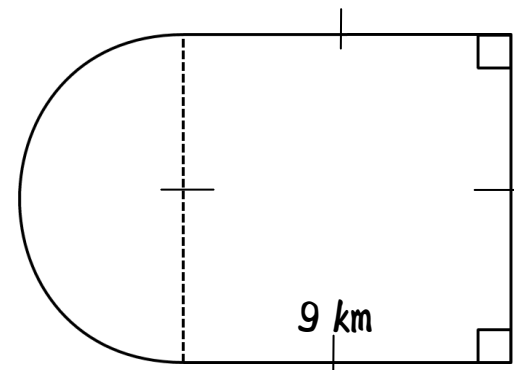
#12 Find the area of the given figure.



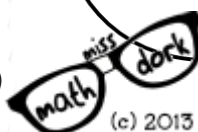
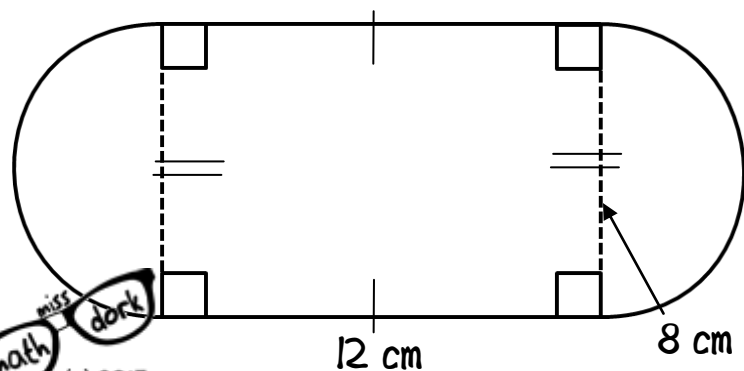
#13 Find the area of the given figure.



#14 Find the area of the given figure.



#15 Find the area of the given figure.



Answer Key:

Pi was approximated as 3.14

- | | | |
|---------------------------------|-------------------------------------|-----------------------------------|
| 1. A= 24.325 cm ² | 2. A= 150 km ² | 3. A= 104 mm ² |
| 4. A= 128 m ² | 5. A= 206 km ² | 6. A= 168 m ² |
| 7. A= 963 cm ² | 8. A= 248.2 m ² | 9. A= 216 mm ² |
| 10. A= 392.5 cm ² | 11. A= 225 km ² | 12. A= 144cm ² |
| 13. A= 204 mm ² | 14. A= ~112.7925 km ² | 15. A= ~146.24 cm ² |



Copyright

© 2013 Jamie Riggs: MissMathDork All rights reserved.

Purchase of this unit entitles the purchaser the right to reproduce the pages in limited quantities for classroom use only.

Duplication for an entire school, an entire school system or commercial purposes is strictly forbidden without written permission from the publisher.

Copying any part of this product and placing it on the internet in any form (even a personal/classroom website or network drive) is strictly forbidden and is a violation of the Digital Millennium Copyright Act (DMCA).

If you have any questions or comments about the usage of this product, please email me at missmathdork@gmail.com





from kevinandamanda.com





Thank you so very
much for your support!

I am so thankful that you have taken your time to purchase and download one of my products! It is such an honor to be able to share my activities with each of you.

I would greatly appreciate you taking a few more moments to leave me some constructive feedback on this product.

I am constantly looking to improve each activity so that it can best serve you and your students!

If you have any questions or comments, feel free to email me at missmathdork@gmail.com or leave me a message on my store Q&A.

Stay connected with me!

www.missmathdork.com

<http://www.TeachersPayTeachers.com/Store/MissMathDork>

